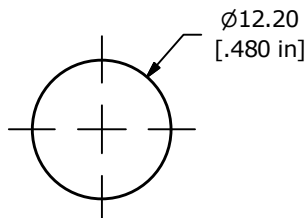
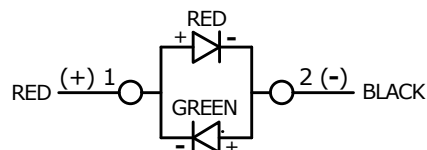


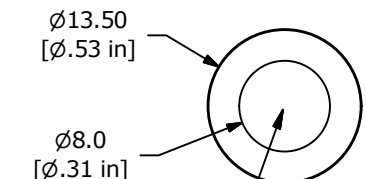
ADAPTER	WIRE	LENGTH
SW1-1 (+)	WIRE, 24 AWG AWM UL1007, RED	150.0 [5.9 in]
SW1-2 (-)	WIRE, 24 AWG AWM UL1007, BLACK	150.0 [5.9 in]



RECOMMENDED PANEL CUTOUT
MAX. PANEL THICKNESS 6mm

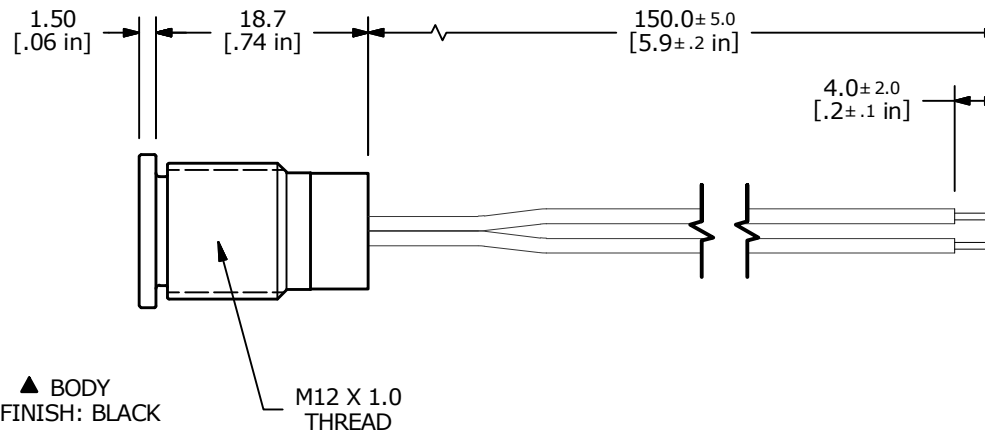
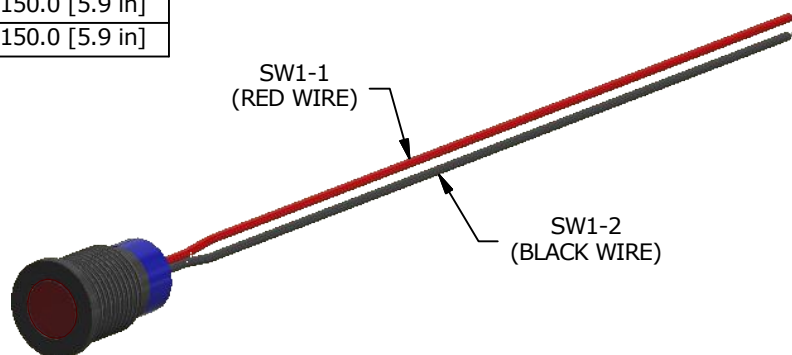


LED SCHEMATIC



▲ ILLUMINATION
BI-COLOR:
RED / GREEN

▲ BODY
FINISH: BLACK



NOTE:

1. ALL DIMENSIONS IN MM [INCH]
2. GENERAL TOLERANCE: X.X = ±0.4
X.XX = ±0.25
3. TERMINAL NUMBERS FOR REF ONLY
4. OPERATING TEMP: -25°C to 55°C
5. CURRENT RATING: 2mA-20mA
- ▲ 6. LAMP VOLTAGE: 12V
7. IP RATING: IP67
8. ▲ DENOTES CRITICAL PARAMETER.
- ▲ 9. HARDWARE SUPPLIED: O-RING AND HEXNUT



A	24166	RELEASE	1/19/20	MW
REV	PCR NO	DESCRIPTION	DATE	BY

E-SWITCH®				
TITLE PVL12FW1G4 (Red/Green)				
SCALE	DATE	DR	DWG	REV
3:2	1/17/2020	MW	52-PVL12FW1G4	A